



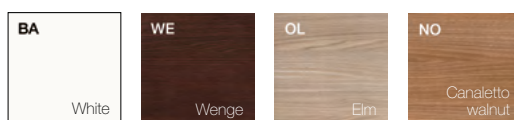
SPECIFICATION SHEET

MELAMINE TOPS FOR DESKS, MEETING & BOARDROOM TABLES

18mm easy to clean scratch-resistant anti-reflective melamine faced chipboard (MFC) top. 10mm high chamfered edges finished with 1.5mm impact resistant matching Abs.

Panel density: 670/730 kgs per cubic meter

Finish options:



LACQUERED MELAMINE TOPS FOR DESKS, MEETING & BOARDROOM TABLES

18mm scratch & abrasion resistant lacquered melamine faced chipboard (MFC) top. Matt lacquers. 10mm high chamfered edges finished with 1.5mm impact resistant matching Abs.

Finish options:

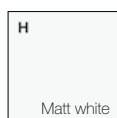


Production lead time: 5 weeks exclusive of delivery time.
Apart from the 18 shown finish options any RAL color can be made to order.

GLASS TOPS FOR DESKS, MEETING & BOARDROOM TABLES

10mm fingerprint-proof back painted tempered glass with a satin white finish top supported on stainless steel spacers. Polished edges and radius corners.

Finish options:

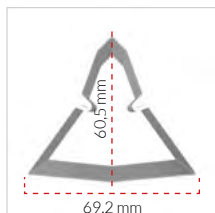
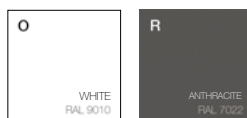


FRAME

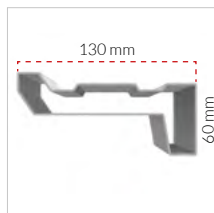


Legs and perimeter frame made from steel tubes linked together by die-cast zamak three-arm corner units. All parts supplied epoxy powder coated.

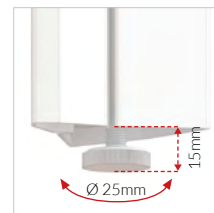
Finish options:



Legs made from 2mm triangle-shaped steel tube, 60.5x69.2mm section.



Perimeter frame made from 1.5m steel tube, 130x60mm section.



0-15mm adjustable levelling feet made of polyethylene, 25mm diameter.

MELAMINE COMBINATION UNIT

Made of 18mm melamine faced chipboard (MFC) finished with 1.5mm matching straight impact resistant ABS edges. Spacious compartment at the back for power blocks and cables, access through a soft-close flap made from epoxy powder coated extruded aluminium, supplied with ABS end caps and brush strip. At the side of the user lower open shelf to place objects such as handbags, binders or a CPU.

3-drawer supporting pedestal, epoxy powder coated metal drawer boxes in silver, full extension ball bearing runners and soft close for silent drawer closing, pen drawer with partial extension roller runners.

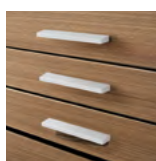
LACQUERED COMBINATION UNIT

Made of 18mm lacquered melamine faced chipboard (MFC) finished with 1.5mm matching straight impact resistant ABS edges. At the side of the user lower open shelf to place objects such as handbags, binders or a CPU.

3-drawer supporting pedestal, epoxy powder coated metal drawer boxes in silver, full extension ball bearing runners and soft close for silent drawer closing, pen drawer with partial extension roller runners.

Standard metal handle

Zen (standard)



White (A)
Anthracite (Q)

MELAMINE LOW CREDENZA UNIT SUPPORTING RETURN TOP

Made of 18mm easy to clean scratch-resistant anti-reflective melamine faced chipboard (MFC). Spacious compartment at the back for power blocks and cables, access through a soft-close flap made from epoxy powder coated extruded aluminium, supplied with ABS end caps and brush strip. 18mm lacquered MFC sliding door complete with epoxy powder coated extruded aluminium handle; pen drawer with plastic pen tray, full extension metal runners.

MELAMINE LOW CREDENZA UNIT SUPPORTING RETURN TOP - MATT LACQUER

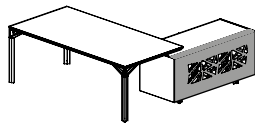
Made of 18mm lacquered melamine faced chipboard (MFC). Spacious compartment at the back for power blocks and cables, access through a soft-close flap made from epoxy powder coated extruded aluminium, supplied with ABS end caps and brush strip. 18mm lacquered MFC sliding door complete with epoxy powder coated extruded aluminium handle; pen drawer with plastic pen tray, full extension metal runners.

METAL BACK PANEL

Combination unit and low credenza unit are also available with a epoxy powder coated scratch- and fingerprint resistant 1.5mm sheet metal, decorative perforated back in the same pattern which can be found in table middle legs.

CABLE FLAPS

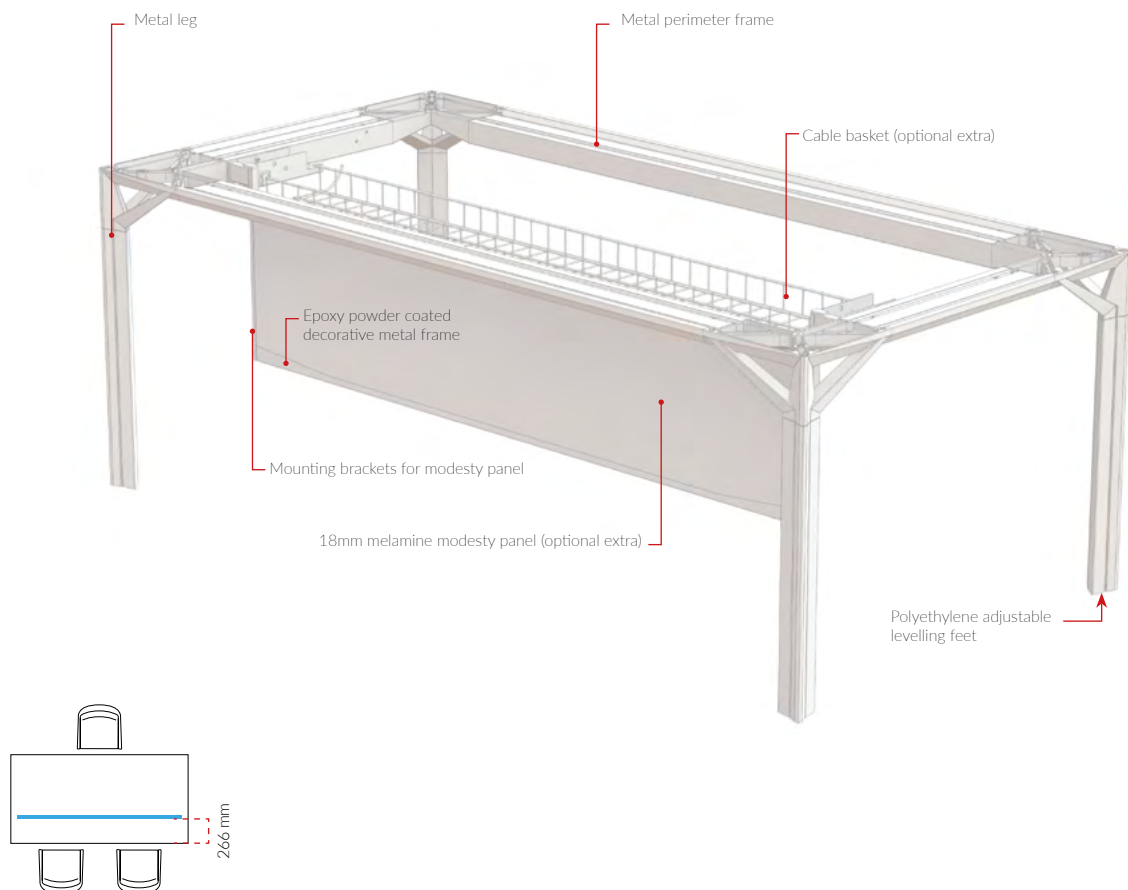
Flap opening from either side made from epoxy powder coated aluminium. Complete with matching ABS end caps and brush strip. Open ended cable box for power blocks.



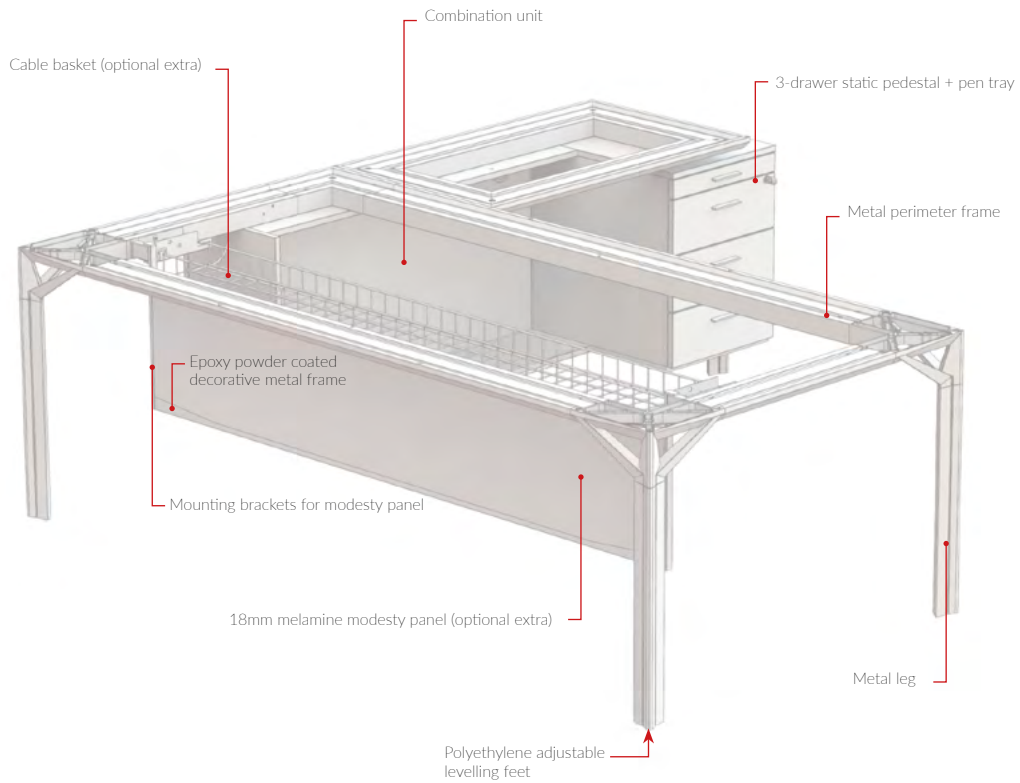
Finish options:



STRAIGHT DESK

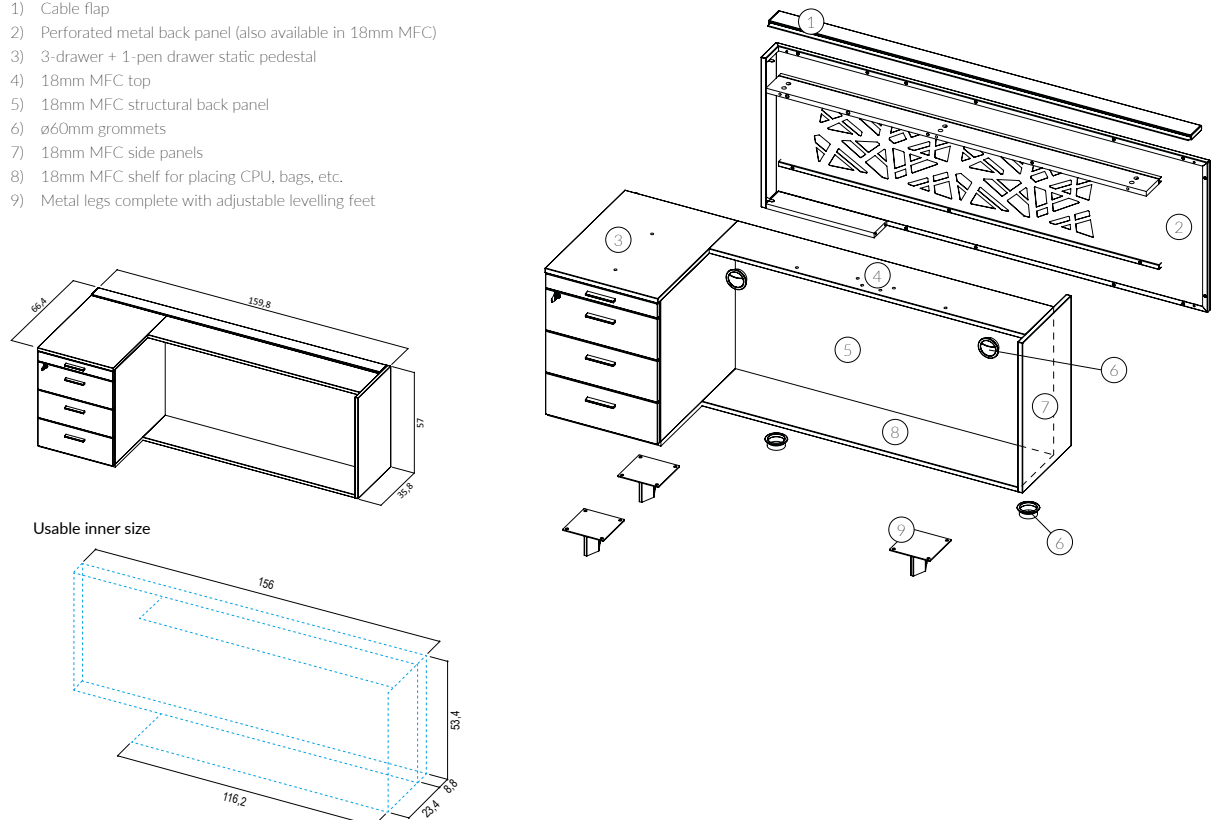


L-SHAPED DESK WITH SUPPORTING COMBINATION UNIT

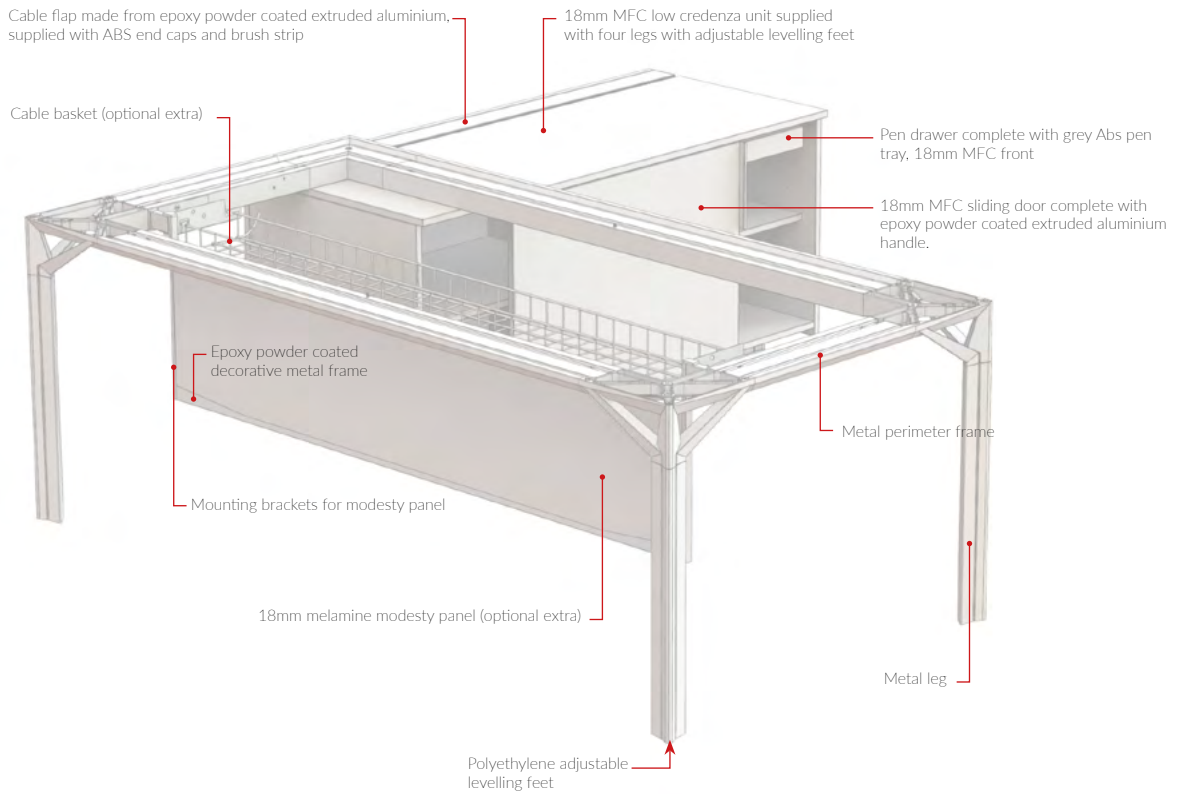


EXPLODED VIEW COMBINATION UNIT

- 1) Cable flap
- 2) Perforated metal back panel (also available in 18mm MFC)
- 3) 3-drawer + 1-pen drawer static pedestal
- 4) 18mm MFC top
- 5) 18mm MFC structural back panel
- 6) $\varnothing 60$ mm grommets
- 7) 18mm MFC side panels
- 8) 18mm MFC shelf for placing CPU, bags, etc.
- 9) Metal legs complete with adjustable levelling feet

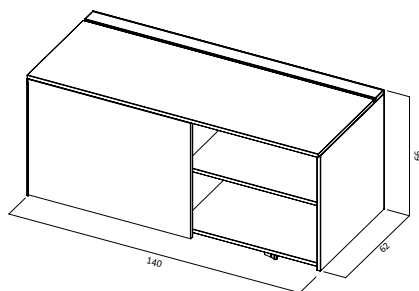


L-SHAPED DESK WITH SUPPORTING LOW CREDENZA UNIT

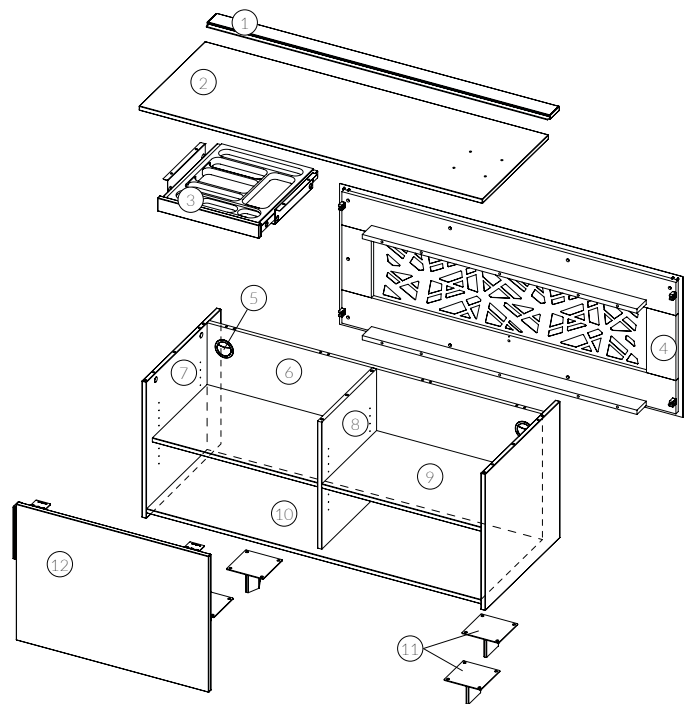
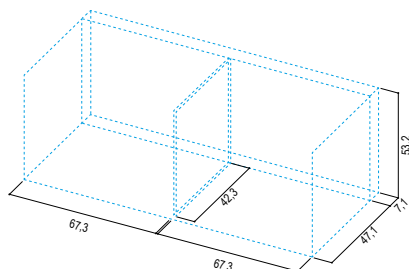


EXPLODED VIEW LOW CREDENZA UNIT

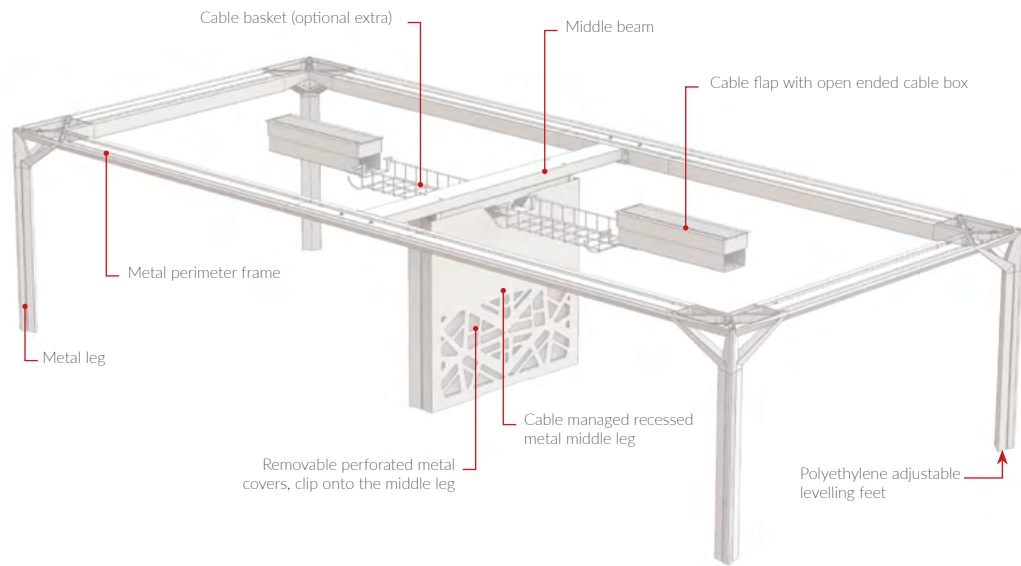
- 1) Cable flap
- 2) 18mm MFC top
- 3) Pen drawer
- 4) Perforated metal back panel (also available in 18mm MFC)
- 5) $\varnothing 60$ mm grommets
- 6) 18mm MFC structural back panel
- 7) 18mm MFC side panels
- 8) 18mm MFC divider
- 9) 18mm MFC shelves
- 10) 18mm MFC bottom
- 11) Metal legs complete with adjustable levelling feet
- 12) 18mm MFC sliding door



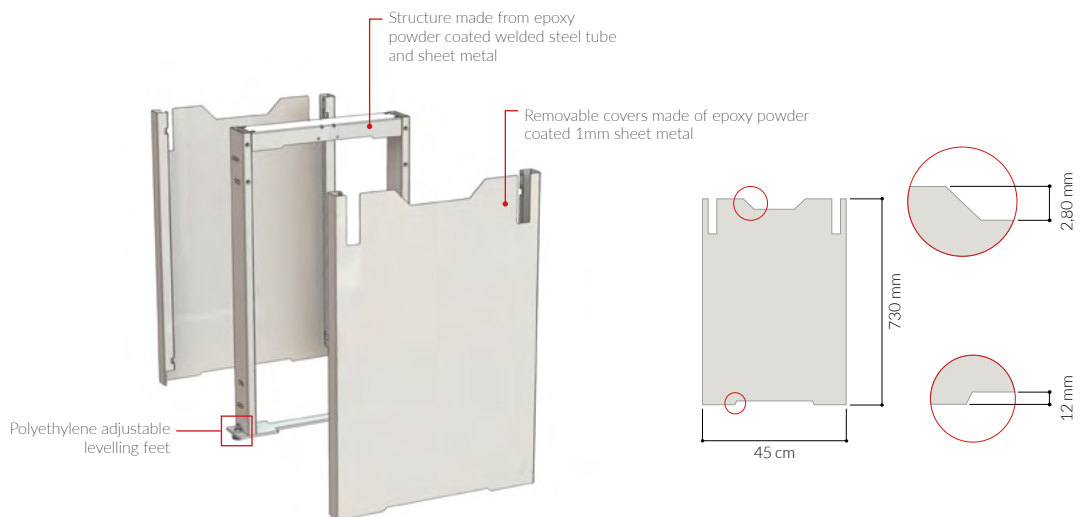
Usable inner size



2-SECTION TABLE

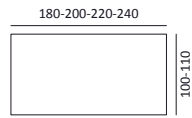


EXPLODED VIEW MIDDLE LEG

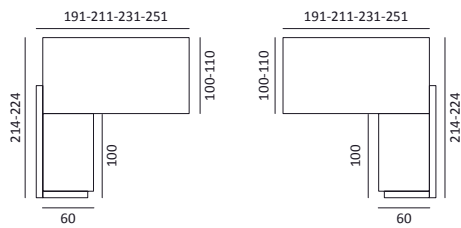


LAYOUT

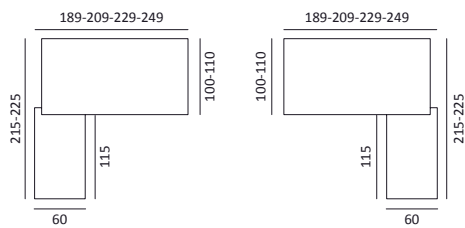
DESKS



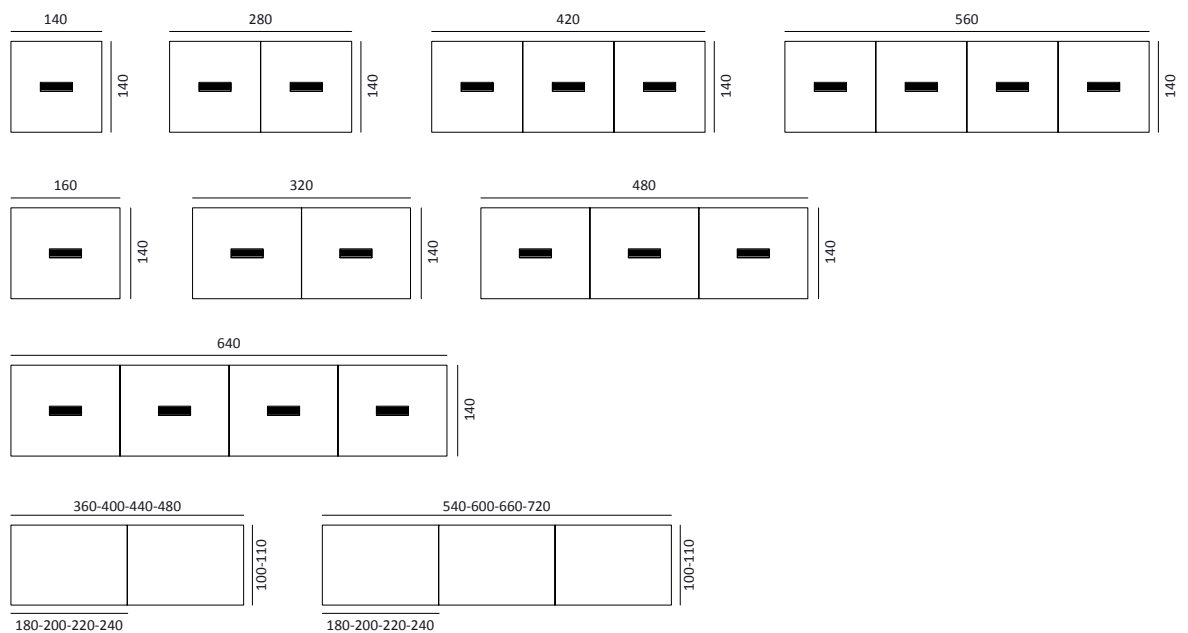
L-SHAPED DESKS SUPPORTED ON COMBINATION UNIT



L-SHAPED DESKS SUPPORTED ON LOW CREDENZA UNIT



MEETING & BOARDROOM

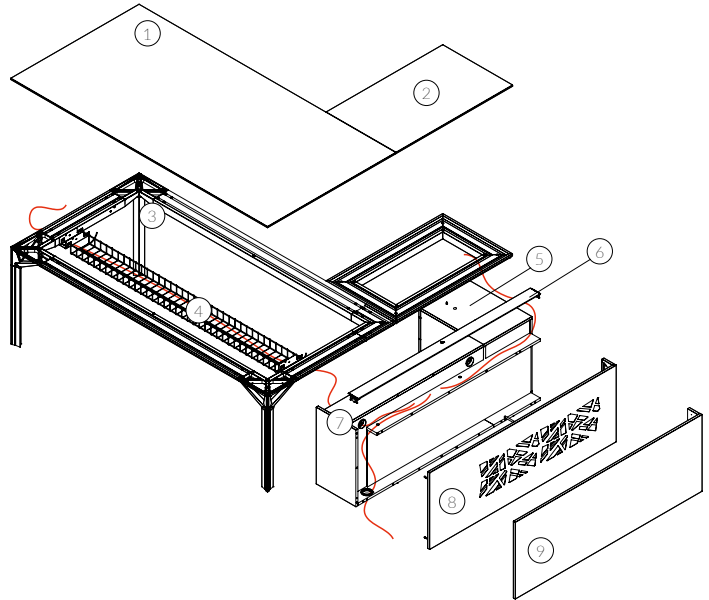


TECHNICAL FEATURES

DESKS

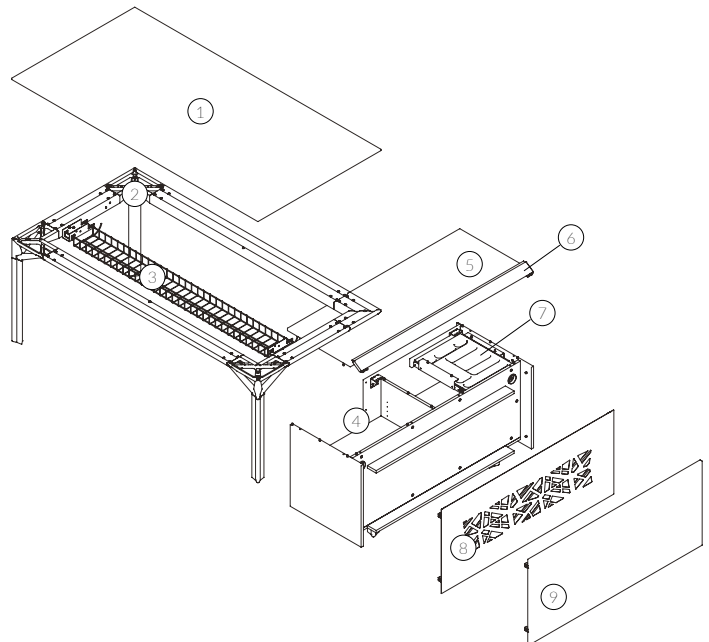
L-SHAPED DESK SUPPORTED ON COMBINATION UNIT

- 1) 18mm MFC desk top
- 2) 18mm MFC return top
- 3) Metal frame
- 4) Cable basket (optional extra)
- 5) 3-drawer + 1-pen drawer static pedestal
- 6) Cable flap
- 7) MFC structure
- 8) Perforated metal back panel (alternative to MFC back panel)
- 9) 18mm MFC back panel (alternative to metal back panel)



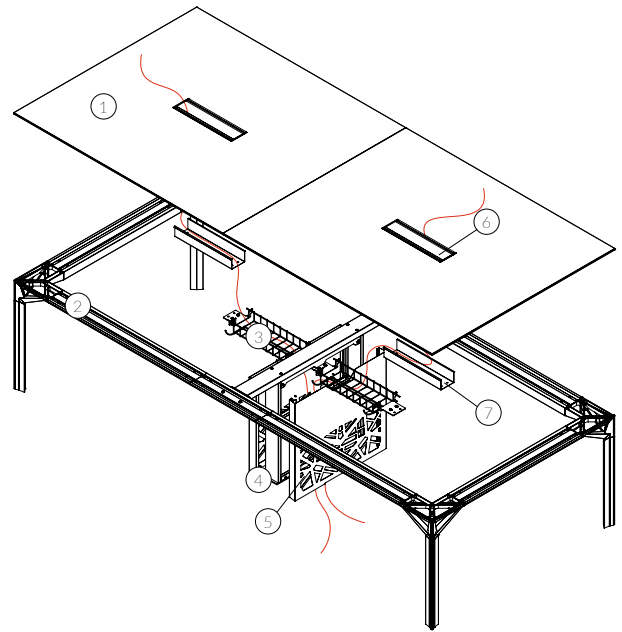
L-SHAPED DESKS SUPPORTED ON LOW CREDENZA UNIT

- 1) 18mm MFC desk top
- 2) Metal frame
- 3) Cable basket (optional extra)
- 4) MFC structure
- 5) 18mm MFC top
- 6) Cable flap
- 7) Pen drawer
- 8) Perforated metal back panel (alternative to MFC back panel)
- 9) 18mm MFC back panel (alternative to metal back panel)



2-SECTION TABLE

- 1) 18mm MFC top
- 2) Metal frame
- 3) Cable basket (optional extra)
- 4) Cable managed recessed middle leg
- 5) Removable perforated metal cover
- 6) Cable flap
- 7) Open ended cable box



ACCESSORIES & ADDITIONS



ø60mm Abs grommet



Cable flap with open ended cable box under



Cable basket for using on desks



Cable basket for two-section tables or longer tables



18mm MFC modesty panel